

semi-automatic, overhead pallet stretchwrapper

muller multee

The universal and flexible solution, regardless of load configuration, stability or weight

Universal

- Pallets remain stationary during the wrap cycle.
- Adaptable to all types of loads, even unstable, heavy or light stacks.
- Automatic height load sensing is perfect for incomplete or mixed size loads.

User Friendly

- Easy to install and operate.
- Complete and easy to use "smart" control panel.
- Three different preprogrammed wrap patterns "at your fingertips".

Rugged and Reliable

- Built in the Muller tradition of durability and quality.
- Simple design requires little maintenance and service.
- Standard components for easy replacement.
- Few moving parts and wear components.

Safe

- Safety system immediately stops the rotation of the arm to prevent collisions.
- Suitable for washdown or corrosive environments.

Flexible

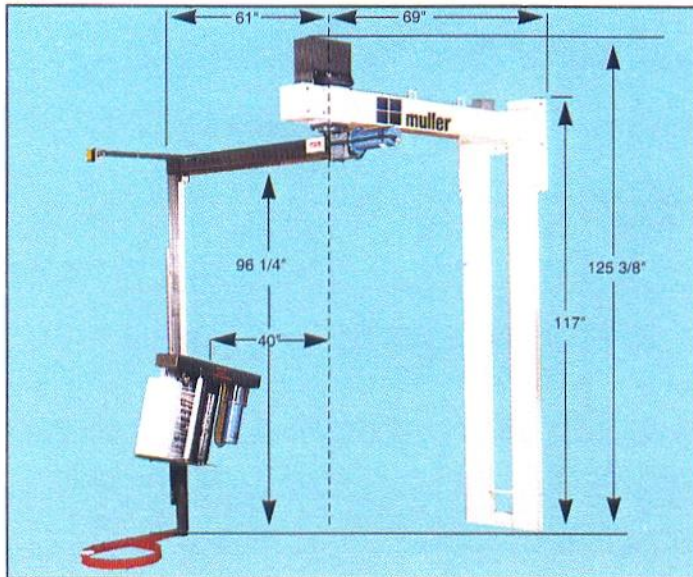
- Ideal for use on loading docks, rack ends and small areas.
- Mountable on a wall, column or floor.
- Designed to straddle existing conveyors, scales or AGVs.

Economical

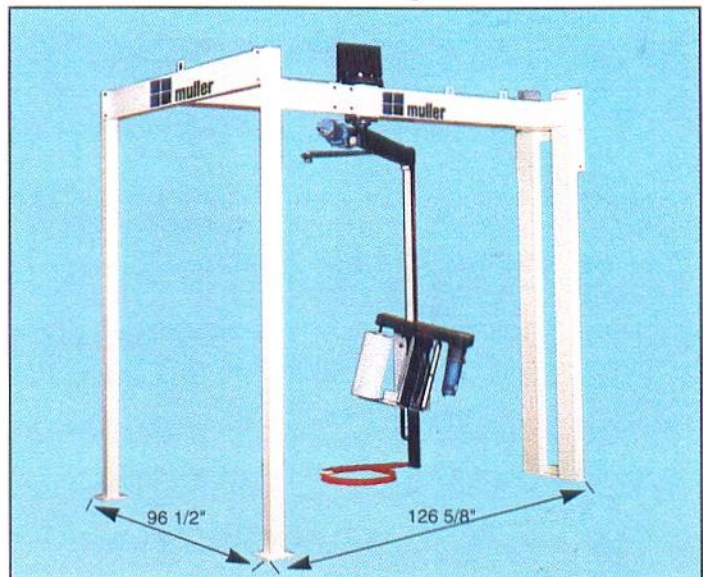
- Low cost easy justification.
- Equipped with the exclusive Varistretch 2000 power prestretch for optimal film usage.
- Minimizes material waste.



Wall Mounted



Free Standing Frame



Standard Features

Power Prestretch System Varistretch 2000

- Stretch ratios from 65% to 300%
- 20" film width
- Easy threading
- Film dancer control
- Film force tension control
- Tilted carriage to wrap within 2" from the floor
- Carriage jog control

Design specifications subject to change without notice.

Rotary Arm

- 0-12 rpm (adjustable)
- Positive alignment
- Arm jog control

Controls

"Smart" Panel Includes:

- Programmable controller
- 3 Selectable wrap patterns
- Separate top and bottom wrap counters
- Automatic load height sensor
- Safety system to stop the rotary arm
- Emergency Stop

Technical Specifications

- Load size: 50" x 50"
- Maximum load height: 84"
- Weight capacity: unlimited
- Power requirements: 120 Volts, 1 phase, 60 Hz
- Shipping weight: 1300 lbs.

Options

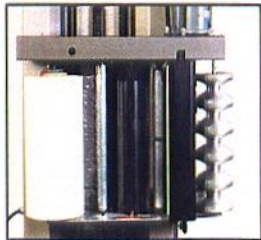
- Extended tower for high loads
- Extended arm for large loads
- Free standing frame (Gantry)
- Cold temperature package

Muller: A complete range of stretchwrappers adapted to your every need!

*1991 Packaging Machinery
Gold Award Winner*



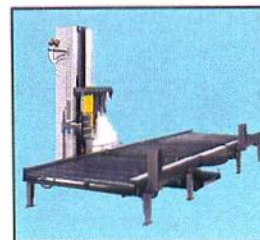
Muller Multee Automatic
Automatic, overhead pallet stretchwrapper. The flexible solution, regardless of load configuration, stability, or weight.



Pak-Air
The carriage that uses normal stretch film to securely bank loads that need to "breathe".



Concept 2000
Rugged, semi-automatic stretchwrappers with the widest range of standard features and capabilities available.



Muller 405, 605
Automatic turntable stretchwrappers with heat seal pads for higher speeds.



Muller Octopus
A revolutionary design for automatic high speed stretchwrapping and film savings.



GENERAL AUTOMATED PACKAGING
www.genautopkg.com

G.A.P.

*Service • Quality Products • Consumables
Equipment • Over 25 Years of Experience*

Local Tel: (905) 726-8GAP Ext. 23

Local Fax: (905) 726-9GAP

Toll Free Tel: 877-427-4275

Toll Free Fax: 866-404-0445

Email: general@genautopkg.com

95 Cousins Drive
Aurora, Ontario L4G 4J9

DISTRIBUTED BY: